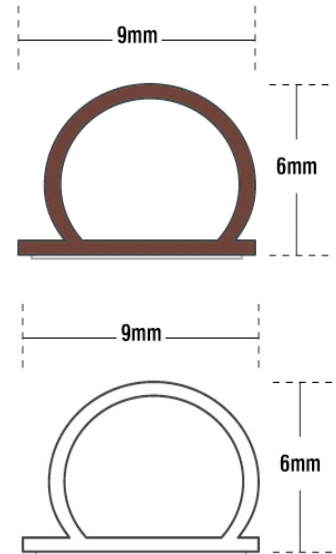
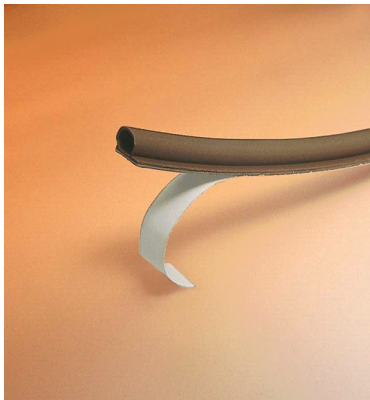


DATA SHEETS

MWS 11 Special-Seal Weather Seal



Moroday Products P/L
10 Crawford Street
P.O. Box 276
Braeside, 3195
Victoria, Australia
Telephone: (03) 9588 6880
Facsimile: (03) 9588 6890
e-mail - info@moroday.com.au
www.moroday.com.au



- **MWS 11 Special-Seal Weather Seals**

- **Codes:** 1-12305 Brown 100M Mini-Spool, 1-12112 Brown 5M Retail Pack
1-11305 White 100M Mini-Spool, 1-11112 White 5M Retail Pack
1-12176 Brown 15M Blister Pack, 1-11176 White 15M Blister Pack

- **Product Features:**

The MWS11 Special-Seal is a Self-adhesive surface mounted weather seal made of a flexible extrusion of EPDM Rubber. This weather seal is suitable for domestic and commercial doors or windows. The installation is simple and does not require the door to be removed.

- **Location:** Door and Window jambs.
- **Sealing Gap:** 3mm – 5mm
- **Product Length:** 5 Metres (can be cut to desired length).
- **Installation Method:** Self-Adhesive tape on back for direct adhesion. Surface must be smooth, clean, flat and dry.
- **Seal Material:** Molded EPDM Rubber (Brown and White).

